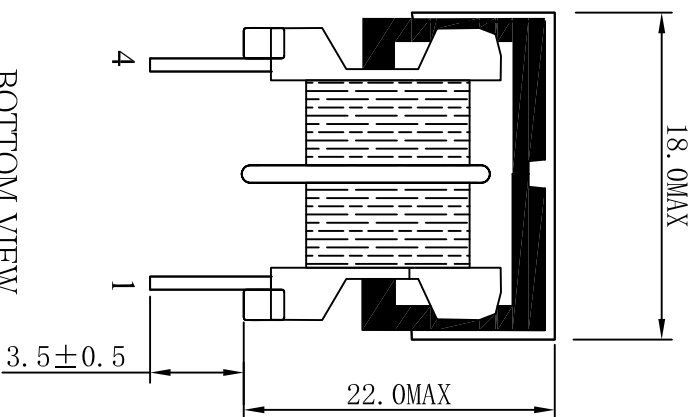
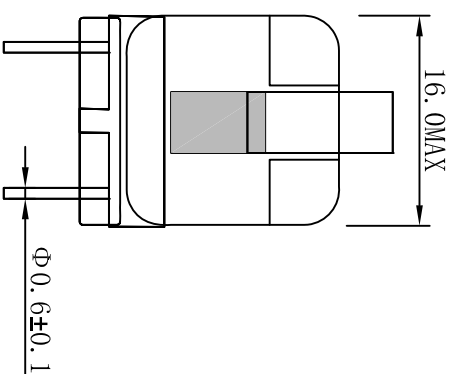


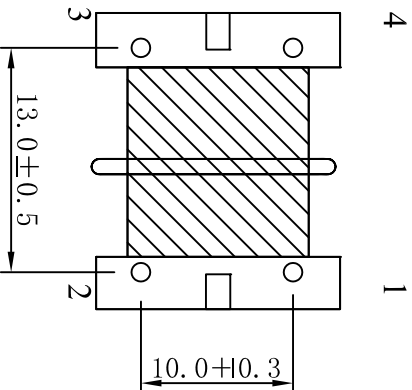
FRONT VIEW



SIDE VIEW



BOTTOM VIEW



TITLE : INDUCTANCE

DRAWN BY: Y.M.ZHUANG		MODEL NO: UU10.5共模电感封装尺寸图	
CHECKED BY SLEKEY		SHEET 1 OF 1	
APPROVED BY: TABLE		SCALE: NONE	
DATE: 2014-10-30		UNIT : mm	
		DRAWING ON REV: 01	
		TEL: 0769-81025229 FAX: 0769-86731655	

**GLADSUM** 东莞市欣永电子科技有限公司

DONGGUAN GLADSUM ELECTRONICS TECHNOLOGY CO.,LTD