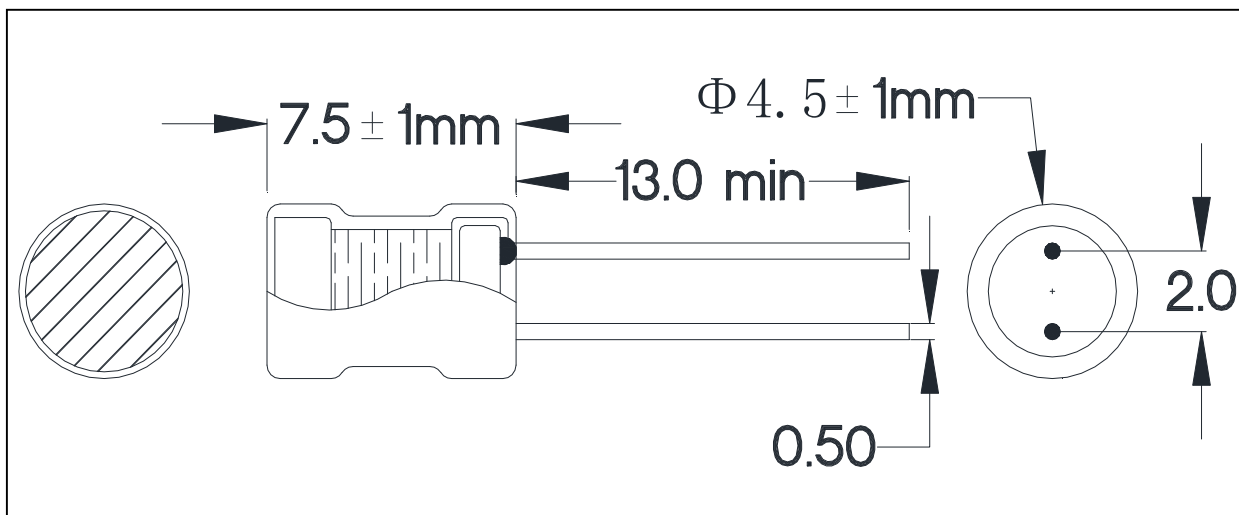


COMPONENT SPECIFICATION

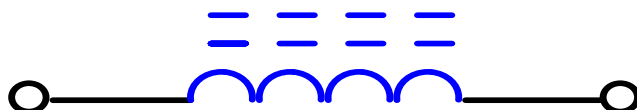
版次:第2版

NAME	SMD POWER INDUCTORS	COMPOSITE SPECIFICATION		1/2
	PK Series	SPEC#	PK0406 Series	

◆ Dimensions (mm)



◆ SCHEMATIC DIAGRAM:



◆ Description

- Ferrite drum core construction.
- Enamelled copper wire : F class
- Products comply with RoHS' requirements
- Halogen free available

◆ GENERAL SPECIFICATION

- Temp. rise : 20°C max. at rated current.
- Storage temp. : -40°C ---- $+125^{\circ}\text{C}$
- Operating temp. : -40°C ---- $+125^{\circ}\text{C}$
(Temp.rise included)



HISTORY	DATE	REVISION		SIGN.	SIGN.
PLANNED BY	CHECKED BY	APPROVED BY			
JSHING	SLEKEY	table zhu			

GLADSUM 东莞市欣永电子科技有限公司 規格標準書

COMPONENT SPECIFICATION

版次:第2版

NAME	SMD POWER INDUCTORS	COMPOSITE SPECIFICATION		2 / 2
	PK Series	SPEC#	PK0406 Series	

◆ Specification

Part Name	Stamp	Inductance [Within] (μ H)※1	D.C.R (Ω)[Max.] (at 20℃)	Rated Current (mA)	Test Freq. (KHz)
PK0406-1R0M	1R0	1.0 \pm 10%	0.030	3.00	1.00
PK0406-1R5M	1R5	1.5 \pm 10%	0.035	2.80	1.00
PK0406-1R8M	1R8	1.8 \pm 10%	0.040	2.70	1.00
PK0406-2R7M	2R7	2.7 \pm 10%	0.045	2.50	1.00
PK0406-3R3M	3R3	3.3 \pm 10%	0.050	2.50	1.00
PK0406-3R9M	3R9	3.9 \pm 10%	0.055	2.20	1.00
PK0406-4R7M	4R7	4.7 \pm 10%	0.065	2.20	1.00
PK0406-5R6M	5R6	5.6 \pm 10%	0.070	2.00	1.00
PK0406-6R8M	6R8	6.8 \pm 10%	0.080	1.80	1.00
PK0406-8R2M	8R2	8.2 \pm 10%	0.090	1.70	1.00
PK0406-100K	100	10 \pm 10%	0.110	1.50	1.00
PK0406-120K	120	12 \pm 10%	0.140	1.40	1.00
PK0406-150K	150	15 \pm 10%	0.160	1.20	1.00
PK0406-180K	180	18 \pm 10%	0.180	1.00	1.00
PK0406-220K	220	22 \pm 10%	0.250	0.90	1.00
PK0406-270K	270	27 \pm 10%	0.370	0.80	1.00
PK0406-330K	330	33 \pm 10%	0.420	0.70	1.00
PK0406-390K	390	39 \pm 10%	0.450	0.70	1.00
PK0406-470K	470	47 \pm 10%	0.500	0.60	1.00
PK0406-560K	560	56 \pm 10%	0.560	0.60	1.00
PK0406-680K	680	68 \pm 10%	0.630	0.55	1.00
PK0406-820K	820	82 \pm 10%	0.770	0.50	1.00
PK0406-101K	101	100 \pm 10%	0.850	0.40	1.00
PK0406-121K	121	120 \pm 10%	1.300	0.40	1.00
PK0406-151K	151	150 \pm 10%	1.400	0.30	1.00
PK0406-181K	181	180 \pm 10%	2.200	0.30	1.00
PK0406-221K	221	220 \pm 10%	2.500	0.28	1.00
PK0406-271K	271	270 \pm 10%	2.700	0.25	1.00
PK0406-331K	331	330 \pm 10%	3.000	0.22	1.00
PK0406-391K	391	390 \pm 10%	3.400	0.21	1.00
PK0406-471K	471	470 \pm 10%	3.900	0.20	1.00
PK0406-561K	561	560 \pm 10%	5.000	0.16	1.00
PK0406-681K	681	680 \pm 10%	7.000	0.15	1.00
PK0406-821K	821	820 \pm 10%	7.700	0.14	1.00
PK0406-102K	102	1000 \pm 10%	8.700	0.12	1.00

◆ Part Numbering System

PK - 0406 - 100 - K - U - LF
 1 2 3 4 5 6

- Series name: PK series name
- Dimensions:0406=4.5*7.5
- inductance: 1R0=1UH、100=10UH、101=100uh
- tolerance:J: \pm 5%、K: \pm 10%、L: \pm 15%、M: \pm 20%、P: \pm 25%、N: \pm 30%
- Packingcode: UL&PVC
- Lead Free