

GLADSUM 东莞市欣永电子科技有限公司 规格标准书

COMPONENT SPECIFICATION

版次:第2版

NAME	SMD POWER INDUCTORS CD Series	COMPOSITE SPECIFICATION		1/2
		SPEC#	CD73 Series	

◆ Product Description

- 8.1×7.3mm Max.(L×W), 4.0mm Max. Height.
- Inductance range: 10~330μH
- Rated current range:0.28~1.44A
- In addition to the standard versions of inductors shown here, custom inductors are available to meet your exact requirements.



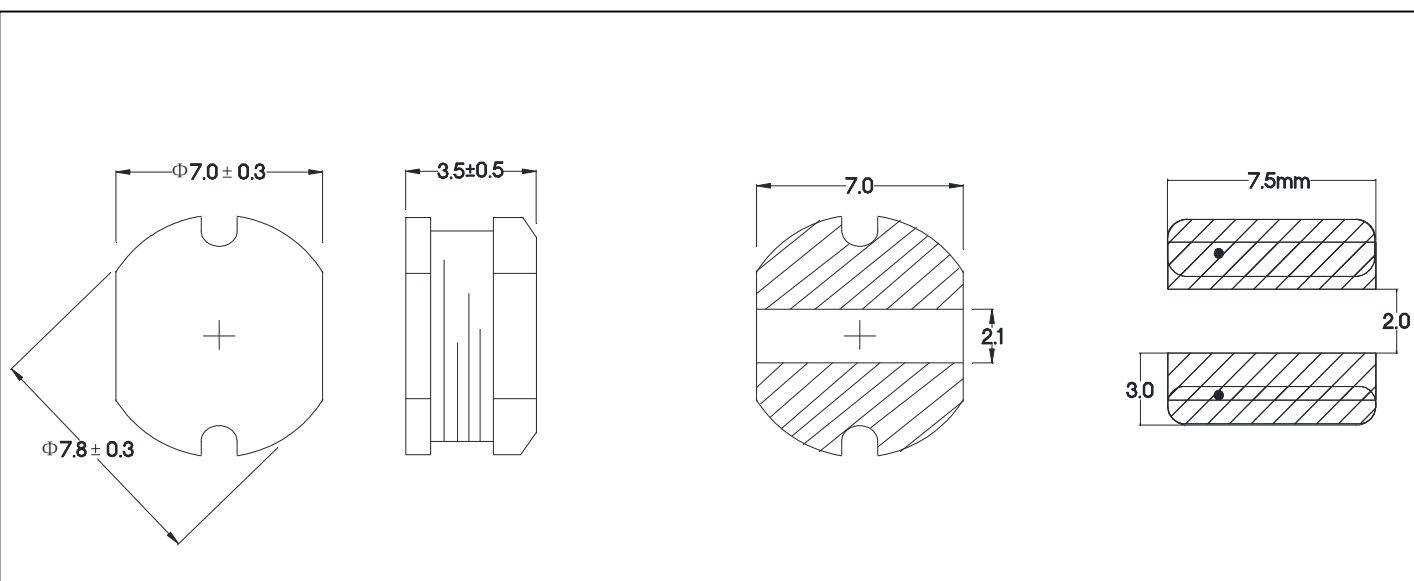
◆ Feature

- Magnetically unshielded construction.
- Ideally used in Mobilephone,PDA,MP3,DSC/DVC,HDD,Portable DVD,etc as DC-DC

Converter inductors.

- RoHS Compliance

◆ Dimensions (mm)



HISTORY	DATE	REVISION	SIGN.	SIGN.
PLANNED BY	CHECKED BY	APPROVED BY		
table zhu	SLEKEY	liwei		

COMPONENT SPECIFICATION

版次:第2版

NAME	SMD POWER INDUCTORS	COMPOSITE SPECIFICATION		2/2
	CD Series	SPEC#	CD73 Series	

◆ Specification

Part Name	Stamp	Inductance [Within] (μ H) ※1	D.C.R (m Ω)[Max.] (at 20°C)	Rated Current (A) ※2	S.R.F. (MHz) (TYP.)
CD73-100K	100	10 \pm 10%	80.30	1.44	38.70
CD73-120K	120	12 \pm 10%	89.70	1.39	34.80
CD73-150K	150	15 \pm 10%	104.00	1.24	31.70
CD73-180K	180	18 \pm 10%	111.00	1.12	28.10
CD73-220K	220	22 \pm 10%	129.00	1.07	26.30
CD73-270K	270	27 \pm 10%	153.00	0.94	23.70
CD73-330K	330	33 \pm 10%	170.00	0.85	21.30
CD73-390K	390	39 \pm 10%	217.00	0.74	17.40
CD73-470K	470	47 \pm 10%	252.00	0.68	15.50
CD73-560K	560	56 \pm 10%	282.00	0.64	13.50
CD73-680K	680	68 \pm 10%	332.00	0.59	11.90
CD73-820K	820	82 \pm 10%	406.00	0.54	11.40
CD73-101K	101	100 \pm 10%	481.00	0.51	10.50
CD73-121K	121	120 \pm 10%	536.00	0.49	9.80
CD73-151K	151	150 \pm 10%	755.00	0.40	8.50
CD73-181K	181	180 \pm 10%	1022.00	0.36	7.90
CD73-221K	221	220 \pm 10%	1200.00	0.31	7.10
CD73-271K	271	270 \pm 11%	1306.00	0.29	6.20
CD73-331K	331	330 \pm 11%	1495.00	0.28	5.60

◆ Part Numbering System

CD - 73 - 100 - K - T - LF
 1 2 3 4 5 6

- 1、 Series name: CD series name
- 2、 Dimensions:73 =7835
- 3、 inductnace: 1R0=1UH、100=10UH、101=100uh
- 4、 tolerance:J:±5%、K:±10%、L:±15%、M:±20%、P:±25%、N:±30%
- 5、 Packingcode: Tape&Ree;In Bulk
- 6、 Lead Free