

GLADSUM 东莞市欣永电子科技有限公司 规格标准书

COMPONENT SPECIFICATION

版次:第2版

NAME	SMD POWER INDUCTORS CD Series	COMPOSITE SPECIFICATION		1/2
		SPEC#	CD54 Series	

◆ Product Description

- 6.1×5.5mm Max.(L×W), 4.85mm Max. Height.
- Inductance range: 10~220μH
- Rated current range:0.35~1.44A
- In addition to the standard versions of inductors shown here, custom inductors are available to meet your exact requirements.



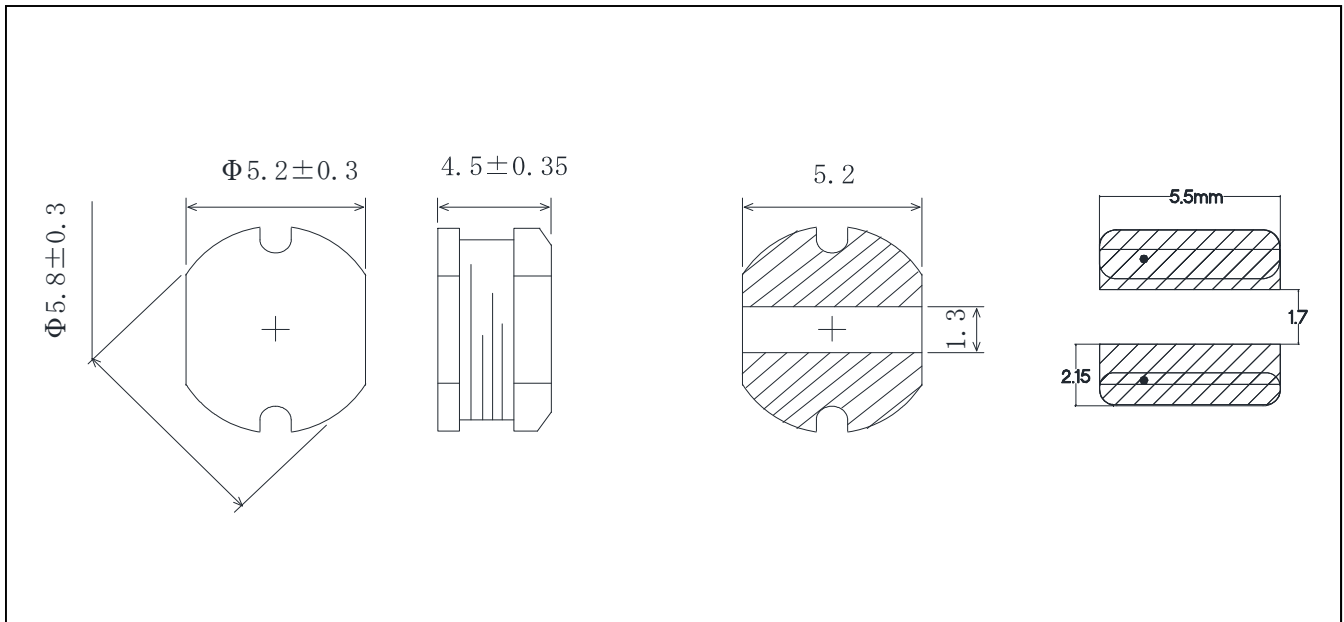
◆ Feature

- Magnetically unshielded construction.
- Ideally used in Mobilephone,PDA,MP3,DSC/DVC,HDD,Portable DVD,etc as DC-DC

Converter inductors.

- RoHS Compliance

◆ Dimensions (mm)



HISTORY	DATE	REVISION	SIGN.	SIGN.
PLANNED BY	CHECKED BY	APPROVED BY		
JSHING	SLEKEY	table zhu		

GLADSUM 东莞市欣永电子科技有限公司 规格标准书

COMPONENT SPECIFICATION

版次:第2版

NAME	SMD POWER INDUCTORS	COMPOSITE SPECIFICATION		2/2
	CD Series	SPEC#	CD54 Series	

◆ Specification

Part Name	Stamp	Inductance [Within] (μ H) ※1	D.C.R (Ω)[Max.] (at 20°C)	Rated Current (A) ※2	S.R.F. (MHz) (TYP.)
CD54-100K	100	10 \pm 10%	0.10	1.44	30.60
CD54-120K	120	12 \pm 10%	0.12	1.40	27.70
CD54-150K	150	15 \pm 10%	0.14	1.30	25.90
CD54-180K	180	18 \pm 10%	0.15	1.23	23.30
CD54-220K	220	22 \pm 10%	0.18	1.11	19.50
CD54-270K	270	27 \pm 10%	0.20	0.97	17.50
CD54-330K	330	33 \pm 10%	0.23	0.88	16.30
CD54-390K	390	39 \pm 10%	0.32	0.80	158.00
CD54-470K	470	47 \pm 10%	0.37	0.72	13.60
CD54-560K	560	56 \pm 10%	0.42	0.68	12.10
CD54-680K	680	68 \pm 10%	0.46	0.61	11.70
CD54-820K	820	82 \pm 10%	0.60	0.58	10.20
CD54-101K	101	100 \pm 10%	0.70	0.52	9.24
CD54-121K	121	120 \pm 10%	0.93	0.48	8.61
CD54-151K	151	150 \pm 10%	1.10	0.40	8.28
CD54-181K	181	180 \pm 10%	1.38	0.38	6.42
CD54-221K	221	220 \pm 10%	1.57	0.35	5.73

◆ Part Numbering System

CD - 54 - 100 - K - T - LF
 1 2 3 4 5 6

- Series name: CD series name
- Dimensions: 54 = 5845
- inductance: 1R0=1UH、100=10UH、101=100uh
- tolerance: J: \pm 5%、K: \pm 10%、L: \pm 15%、M: \pm 20%、P: \pm 25%、N: \pm 30%
- Packingcode: Tape&Ree; In Bulk
- Lead Free