

# GLADSUM 东莞市欣永电子科技有限公司 规格标准书

## COMPONENT SPECIFICATION

版次:第2版

NAME	SMD POWER INDUCTORS CD Series	COMPOSITE SPECIFICATION		1/2
		SPEC#	CD43 Series	

### ◆ Product Description

- 3.8×2.6mm Max.(L×W), 2.65mm Max. Height.
- Inductance range: 10 ~ 220μH
- Rated current range:0.08 ~ 2.7A
- In addition to the standard versions of inductors shown here, custom inductors are available to meet your exact requirements.



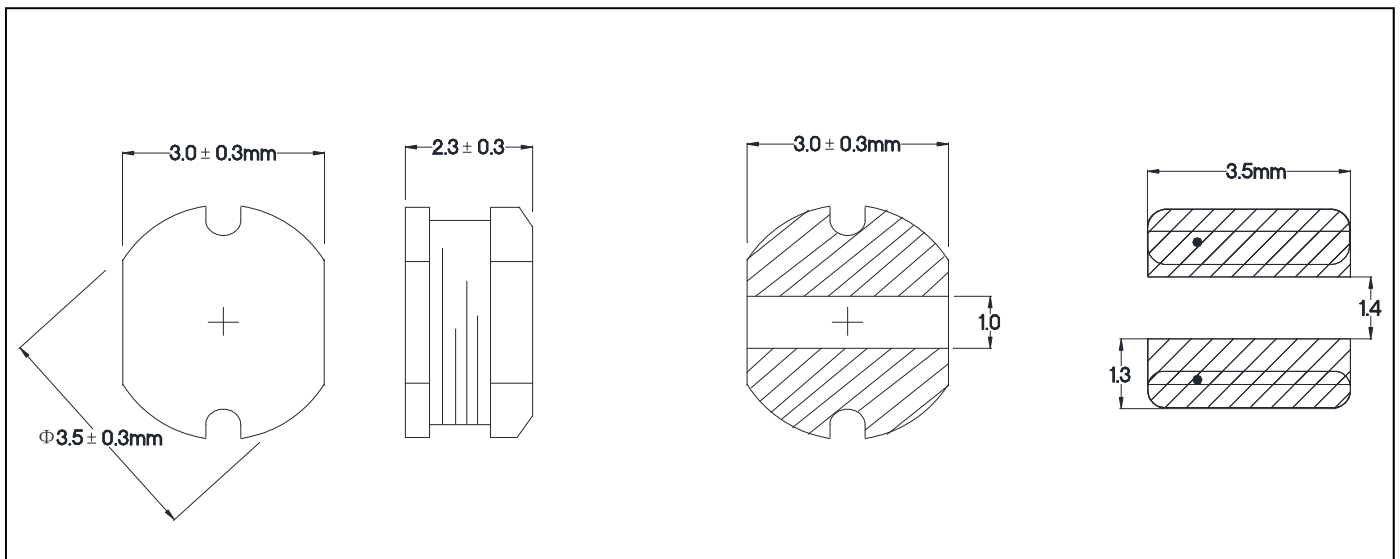
### ◆ Feature

- Magnetically unshielded construction.
- Ideally used in Mobilephone,PDA,MP3,DSC/DVC,HDD,Portable DVD,etc as DC-DC

Converter inductors.

- RoHS Compliance

### ◆ Dimensions (mm)



HISTORY	DATE	REVISION		SIGN.	SIGN.
PLANNED BY	CHECKED BY	APPROVED BY			
JSHING	<b>SLEKEY</b>	table zhu			

# GLADSUM 东莞市欣永电子科技有限公司 規格標準書

## COMPONENT SPECIFICATION

版次:第2版

NAME	SMD POWER INDUCTORS	COMPOSITE SPECIFICATION		2 / 2
	CD Series	SPEC#	CD32 Series	

### ◆ Specification

Part Name	Stamp	Inductance [Within] ( $\mu$ H) ※1	D.C.R ( $\Omega$ )[Max.] (at 20°C)	Rated Current (A) ※2	Test Freq. (KHz)
CD32-1R0M	1R0	1.0 $\pm$ 10%	0.045	2.20	100.00
CD32-1R2M	1R2	1.4 $\pm$ 10%	0.050	2.10	100.00
CD32-1R5M	1R5	1.5 $\pm$ 10%	0.055	1.70	100.00
CD32-1R8M	1R8	1.8 $\pm$ 10%	0.070	1.65	100.00
CD32-2R2M	2R2	2.2 $\pm$ 10%	0.085	1.60	100.00
CD32-2R7M	2R7	2.7 $\pm$ 10%	0.100	1.40	100.00
CD32-3R3M	3R3	3.3 $\pm$ 10%	0.120	1.05	100.00
CD32-3R9M	3R9	3.9 $\pm$ 10%	0.125	1.00	100.00
CD32-4R7M	4R7	4.7 $\pm$ 10%	0.135	1.00	100.00
CD32-5R6M	5R6	5.6 $\pm$ 10%	0.145	0.95	100.00
CD32-6R8M	6R8	6.8 $\pm$ 10%	0.200	0.95	100.00
CD32-8R2M	8R2	8.2 $\pm$ 10%	0.250	0.92	100.00
CD32-100K	100	10 $\pm$ 10%	0.320	0.90	100.00
CD32-120K	120	12 $\pm$ 10%	0.350	0.85	100.00
CD32-150K	150	15 $\pm$ 10%	0.460	0.75	100.00
CD32-180K	180	18 $\pm$ 10%	0.520	0.70	100.00
CD32-220K	220	22 $\pm$ 10%	0.650	0.60	100.00
CD32-270K	270	27 $\pm$ 10%	0.750	0.55	100.00
CD32-330K	330	33 $\pm$ 10%	0.920	0.50	100.00
CD32-390K	390	39 $\pm$ 10%	1.000	0.48	100.00
CD32-470K	470	47 $\pm$ 10%	1.150	0.45	100.00
CD32-560K	560	56 $\pm$ 10%	1.500	0.30	100.00
CD32-680K	680	68 $\pm$ 10%	2.000	0.26	100.00
CD32-820K	820	82 $\pm$ 10%	2.150	0.23	100.00
CD32-101K	101	100 $\pm$ 10%	2.500	0.20	100.00
CD32-121K	121	120 $\pm$ 10%	3.400	0.18	100.00
CD32-151K	151	150 $\pm$ 10%	4.200	0.16	100.00
CD32-181K	181	180 $\pm$ 10%	4.500	0.15	100.00
CD32-221K	221	220 $\pm$ 10%	5.100	0.14	100.00
CD32-271K	271	270 $\pm$ 10%	8.500	0.10	100.00
CD32-331K	331	330 $\pm$ 10%	9.500	0.09	100.00

### ◆ Part Numbering System

CD - 32 - 100 - K - T - LF  
 1            2            3            4            5            6

- Series name: CD series name
- Dimensions: 32 = 3023
- inductance: 1R0=1UH、100=10UH、101=100uh
- tolerance: J:  $\pm$ 5%、K:  $\pm$ 10%、L:  $\pm$ 15%、M:  $\pm$ 20%、P:  $\pm$ 25%、N:  $\pm$ 30%
- Packing code: Tape&Reel; In Bulk
- Lead Free