

GLADSUM 东莞市欣永电子科技有限公司 规格标准书

COMPONENT SPECIFICATION

版次:第2版

NAME	SMD POWER INDUCTORS CD Series	COMPOSITE SPECIFICATION		1/2
		SPEC#	CD105 Series	

◆ Product Description

- 10.4×9.4mm Max.(L×W),5.8mm Max. Height.
- Inductance range: 10~820μH
- Rated current range:0.24~2.6A(at20℃)
- In addition to the standard versions of inductors shown here, custom inductors are available to meet your exact requirements.



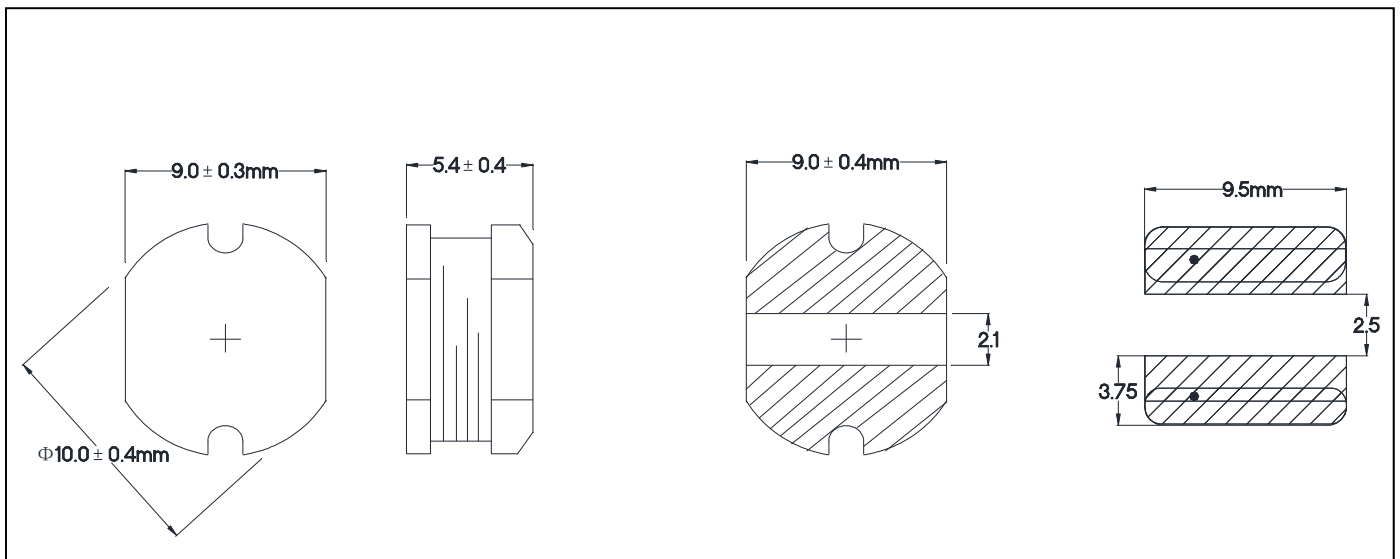
◆ Feature

- Magnetically unshielded construction.
- Ideally used in Mobilephone,PDA,MP3,DSC/DVC,HDD,Portable DVD,etc as DC-DC

Converter inductors.

- RoHS Compliance

◆ Dimensions (mm)



HISTORY	DATE	REVISION		SIGN.	SIGN.
PLANNED BY	CHECKED BY	APPROVED BY			
JSHING	SLEKEY	table zhu			

GLADSUM 东莞市欣永电子科技有限公司 規格標準書

COMPONENT SPECIFICATION

版次:第2版

NAME	SMD POWER INDUCTORS	COMPOSITE SPECIFICATION		2/2
	CD Series	SPEC#	CD105 Series	

◆ Specification

Part Name	Stamp	Inductance [Within] (μ H) ※1	D.C.R (Ω)[Max.] (at 20°C)	Rated Current (A) ※2	S.R.F. (MHz) (TYP.)
CD105-100K	100	10 \pm 10%	0.06	2.60	25.10
CD105-120K	120	12 \pm 10%	0.07	2.45	23.10
CD105-150K	150	15 \pm 10%	0.08	2.27	19.10
CD105-180K	180	18 \pm 10%	0.09	2.15	18.10
CD105-220K	220	22 \pm 10%	0.10	1.95	15.90
CD105-270K	270	27 \pm 10%	0.11	1.76	14.00
CD105-330K	330	33 \pm 10%	0.12	1.50	13.10
CD105-390K	390	39 \pm 10%	0.14	1.37	12.20
CD105-470K	470	47 \pm 10%	0.17	1.28	10.60
CD105-560K	560	56 \pm 10%	0.19	1.17	10.20
CD105-680K	680	68 \pm 10%	0.22	1.11	9.26
CD105-820K	820	82 \pm 10%	0.25	1.00	8.45
CD105-101K	101	100 \pm 10%	0.35	0.97	7.64
CD105-121K	121	120 \pm 10%	0.40	0.89	6.65
CD105-151K	151	150 \pm 10%	0.47	0.78	5.86
CD105-181K	181	180 \pm 10%	0.63	0.72	5.71
CD105-221K	221	220 \pm 10%	0.73	0.66	5.25
CD105-271K	271	270 \pm 10%	0.97	0.57	4.62
CD105-331K	331	330 \pm 10%	1.15	0.52	4.07
CD105-391K	391	390 \pm 10%	1.30	0.48	3.91
CD105-471K	471	470 \pm 10%	1.48	0.42	3.61
CD105-561K	561	560 \pm 10%	1.90	0.33	3.25
CD105-681K	681	680 \pm 10%	2.25	0.28	2.96
CD105-821K	821	820 \pm 10%	2.55	0.24	2.74

◆ Part Numbering System

CD - **105** - **100** - **K** - **T** - **LF**

1 2 3 4 5 6

- Series name: CD series name
- Dimensions: 105 = 9054
- inductance: 1R0=1UH、100=10UH、101=100uh
- tolerance: J: \pm 5%、K: \pm 10%、L: \pm 15%、M: \pm 20%、P: \pm 25%、N: \pm 30%
- Packingcode: Tape&Ree;In Bulk
- Lead Free