

# GLADSUM 东莞市欣永电子科技有限公司 规格标准书

## COMPONENT SPECIFICATION

版次:第2版

|      |                                      |                         |              |     |
|------|--------------------------------------|-------------------------|--------------|-----|
| NAME | SMD POWER INDUCTORS<br><br>CD Series | COMPOSITE SPECIFICATION |              | 1/2 |
|      |                                      | SPEC#                   | CD104 Series |     |

### ◆ Product Description

- 10.4×9.4mm Max.(L×W),5.8mm Max. Height.
- Inductance range: 10~820μH
- Rated current range:0.24~2.6A(at20℃)
- In addition to the standard versions of inductors shown here, custom inductors are available to meet your exact requirements.



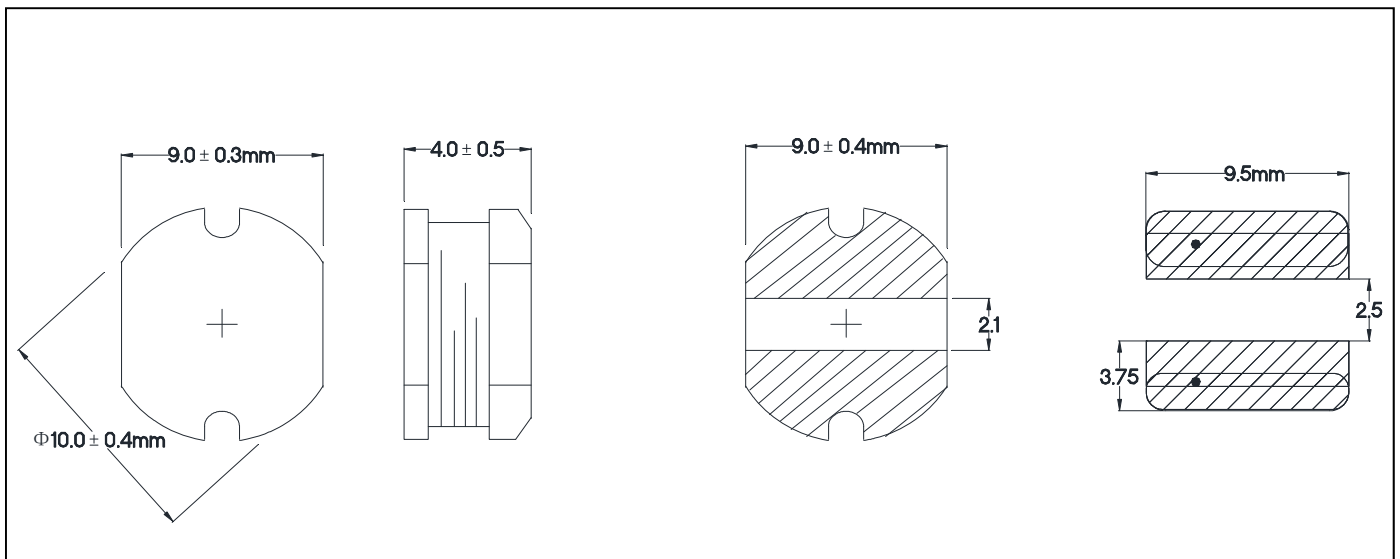
### ◆ Feature

- Magnetically unshielded construction.
- Ideally used in Mobilephone,PDA,MP3,DSC/DVC,HDD,Portable DVD,etc as DC-DC

Converter inductors.

- RoHS Compliance

### ◆ Dimensions (mm)



|            |               |             |  |       |       |
|------------|---------------|-------------|--|-------|-------|
| HISTORY    | DATE          | REVISION    |  | SIGN. | SIGN. |
| PLANNED BY | CHECKED BY    | APPROVED BY |  |       |       |
| JSHING     | <b>SLEKEY</b> | table zhu   |  |       |       |

# GLADSUM 东莞市欣永电子科技有限公司 规格标准书

## COMPONENT SPECIFICATION

版次:第2版

|      |                     |                         |              |     |
|------|---------------------|-------------------------|--------------|-----|
| NAME | SMD POWER INDUCTORS | COMPOSITE SPECIFICATION |              | 2/2 |
|      | CD Series           | SPEC#                   | CD104 Series |     |

### ◆ Specification

| Part Name  | Stamp | Inductance<br>[Within]<br>( $\mu$ H)<br>※1 | D.C.R<br>(m $\Omega$ )[Max.]<br>(at 20°C) | Rated<br>Current<br>(A)<br>※2 | S.R.F.<br>(MHz)<br>(TYP.) |
|------------|-------|--|---|-------------------------------|---------------------------|
| CD104-100K | 100   | 10 $\pm$ 10%                               | 53.00                                     | 2.38                          | 29.90                     |
| CD104-120K | 120   | 12 $\pm$ 10%                               | 61.00                                     | 2.13                          | 29.70                     |
| CD104-150K | 150   | 15 $\pm$ 10%                               | 70.00                                     | 1.87                          | 25.10                     |
| CD104-180K | 180   | 18 $\pm$ 10%                               | 81.00                                     | 1.73                          | 23.00                     |
| CD104-220K | 220   | 22 $\pm$ 10%                               | 88.00                                     | 1.60                          | 20.00                     |
| CD104-270K | 270   | 27 $\pm$ 10%                               | 100.00                                    | 1.44                          | 18.50                     |
| CD104-330K | 330   | 33 $\pm$ 10%                               | 120.00                                    | 1.26                          | 16.90                     |
| CD104-390K | 390   | 39 $\pm$ 10%                               | 151.00                                    | 1.20                          | 14.90                     |
| CD104-470K | 470   | 47 $\pm$ 10%                               | 170.00                                    | 1.10                          | 13.80                     |
| CD104-560K | 560   | 56 $\pm$ 10%                               | 199.00                                    | 1.01                          | 12.60                     |
| CD104-680K | 680   | 68 $\pm$ 10%                               | 223.00                                    | 0.91                          | 10.40                     |
| CD104-820K | 820   | 82 $\pm$ 10%                               | 252.00                                    | 0.85                          | 10.00                     |
| CD104-101K | 101   | 100 $\pm$ 10%                              | 344.00                                    | 0.74                          | 9.42                      |
| CD104-121K | 121   | 120 $\pm$ 10%                              | 396.00                                    | 0.69                          | 8.74                      |
| CD104-151K | 151   | 150 $\pm$ 10%                              | 544.00                                    | 0.61                          | 7.29                      |
| CD104-181K | 181   | 180 $\pm$ 10%                              | 621.00                                    | 0.56                          | 6.53                      |
| CD104-221K | 221   | 220 $\pm$ 10%                              | 721.00                                    | 0.53                          | 5.85                      |
| CD104-271K | 271   | 270 $\pm$ 10%                              | 949.00                                    | 0.45                          | 5.51                      |
| CD104-331K | 331   | 330 $\pm$ 10%                              | 1100.00                                   | 0.42                          | 4.91                      |
| CD104-391K | 391   | 390 $\pm$ 10%                              | 1245.00                                   | 0.38                          | 4.32                      |
| CD104-471K | 471   | 470 $\pm$ 10%                              | 1526.00                                   | 0.35                          | 4.06                      |
| CD104-561K | 561   | 560 $\pm$ 10%                              | 1904.00                                   | 0.32                          | 3.55                      |

### ◆ Part Numbering System

CD - 104 - 100 - K - T - LF  
 1            2            3            4            5            6

- Series name: CD series name
- Dimensions: 104 = 9054
- inductance: 1R0=1UH、100=10UH、101=100uh
- tolerance: J:  $\pm$ 5%、K:  $\pm$ 10%、L:  $\pm$ 15%、M:  $\pm$ 20%、P:  $\pm$ 25%、N:  $\pm$ 30%
- Packing code: Tape&Ree; In Bulk
- Lead Free